

## VELVET XZ PNEUMATIC PRESSES

### Models

- Velvet XZ 15
- Velvet XZ 23
- Velvet XZ 34

### Technical description

Horizontal pneumatic press with side membrane certified in accordance with current European Directive in force, with closed AISI 304 stainless steel tank.

High draining efficiency thanks to mirror-polished channels placed along the internal lateral surface. Simplified cleaning operations thanks to a quick assembly and disassembly system.

Large double door manually opened and closed with mechanical safety lock.

Pressing membrane consisting of heavy fabric coated with a food grade polymer, it inflates totally even in the absence of product, no minimum load required. Quick fastening system without perforation of the membrane.

Frame entirely made of AISI 304 stainless steel.

Electric control panel and covers entirely made of AISI 304 stainless steel, in compliance with current European Directive in force.

Machine equipped with compressor for membrane inflation and blower for vacuum.

Safety side protection and emergency button for user's safety. This machine meets current European Directive in force.

### Automation

Simple and user-friendly operator interface E-panel with "Touch-Screen" to easily access to programming pages. It allows the management and programming of all working cycles and monitoring of the working cycle and press status.

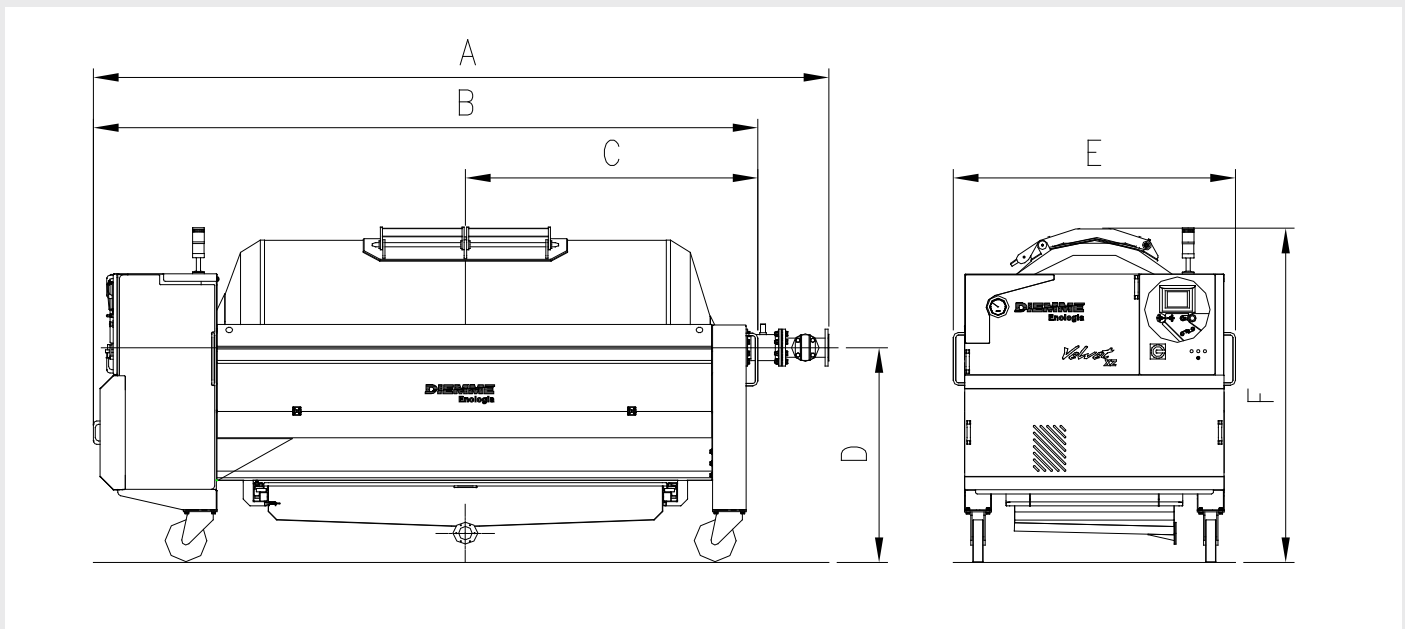
30 pressing programs are stored in the PLC and a "Rocking" system for tank oscillation and M.I.P. Intelligent Program for optimizing the pressing cycle time.

OPTIONS	VELVET XZ 15	VELVET XZ 23	VELVET XZ 34
DN100 manual axial feeding	●	●	●
Raised stainless steel feet 500 mm long	●	●	●
Juice level probe	●	●	●
Oversize air compressor 100 m3/h – 5,5 kW	X	●	●
Inert pressing system type XZ	●	●	●
Neutral 2 system	X	X	X
Pulse Jet automatic washing system	X	X	X

● available

X not available

### Drawing



<b>TECHNICAL DATA</b>	<b>VELVET XZ 15</b>	<b>VELVET XZ 23</b>	<b>VELVET XZ 34</b>
A (mm)	3.727	3.929	4.378
B (mm)	3.193	3.474	3.923
C (mm)	1.373	1.495	1.720
D (mm)	1.058	1.282	1.284
E (mm)	1.896	2.609	2.286
F (mm)	1.598	1.934	1.996
Tank volume (lt)	1.500	2.300	3.400
Door dimension (mm)	800x440	900x480	900x480
Juice pan volume (lt)	400	400	500
Empty weight (kg)	1.150	1.300	1.500
Full weight (kg)	2.650	3.600	4.900
Installed power (kW/50Hz)	3,35	4,8	5,2
Whole bunch capacity (kg)	1.000	1.400	2.100
Destemmed/crushed grapes capacity (kg)	3.000	4.600	6.800
Fermented and drained capacity (kg)	4.500	6.900	10.200

P.S. The above data is indicative and may vary according to the degree of ripeness, type of grape and filling method. All data refers to initial whole bunch weight prior to any operation like destemming, crushing, maceration, fermentation, etc.