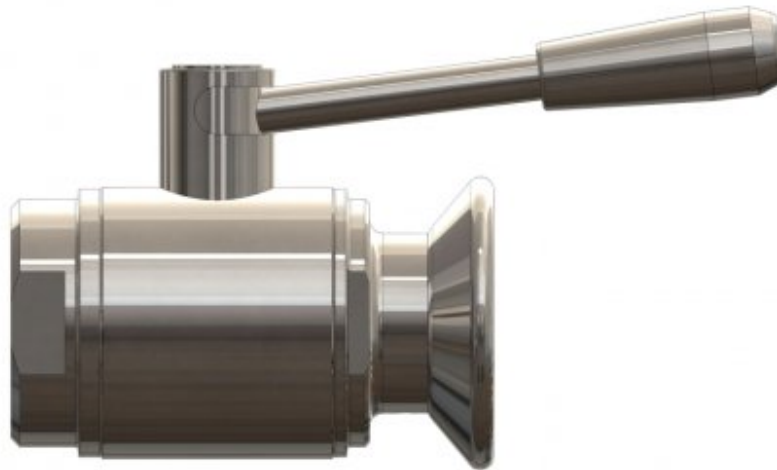


# BALL VALVE - INTERNAL THREAD G - GAROLLA DN



DN	A	B	C	L	H	CODE
25	G 1"	GAROLLA DN40	Ø25	85	94	8144440
32	G 5/4"	GAROLLA DN40	Ø32	107	103	8145440
32	G 5/4"	GAROLLA DN50	Ø32	114	107	8145450
40	G 6/4"	GAROLLA DN50	Ø40	112	128	8146450
50	G 2"	GAROLLA DN50	Ø50	120	145	8140250
50	G 2"	GAROLLA DN60	Ø50	125	145	8140260



GALERIE

