



CRUSHER-DESTEMMERS, WOTTLE



Gross price:
44 909 €

Net price:
36 511 €

Grape destemmer made of stainless steel with a shredder from the renowned Austrian company WOTTLE.

The device enables various methods of processing grapes: destemming + crushing, destemming only, crushing only

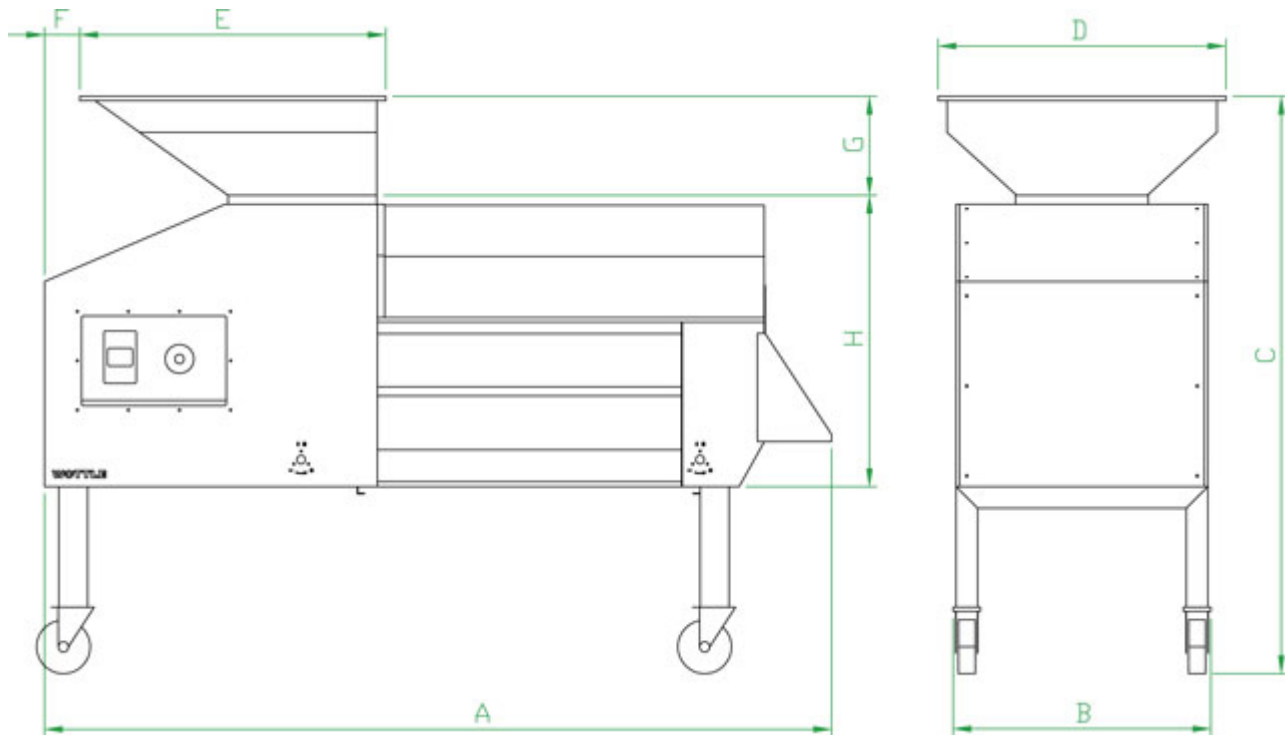
A de-stalking basket made of food-safe and taste-neutral plastic. Replaceable basket depending on the grape variety.

The basket and roller can be easily and effortlessly removed/attached.

The shredder is easy to detach. Possibility to adjust the width of the spacing of the shredding (opening) rollers.

- Capacity: up to 4,000 kg/h
- 380V
- Dimensions: length/height/width: 1700/850/1200 mm





GALLERY

