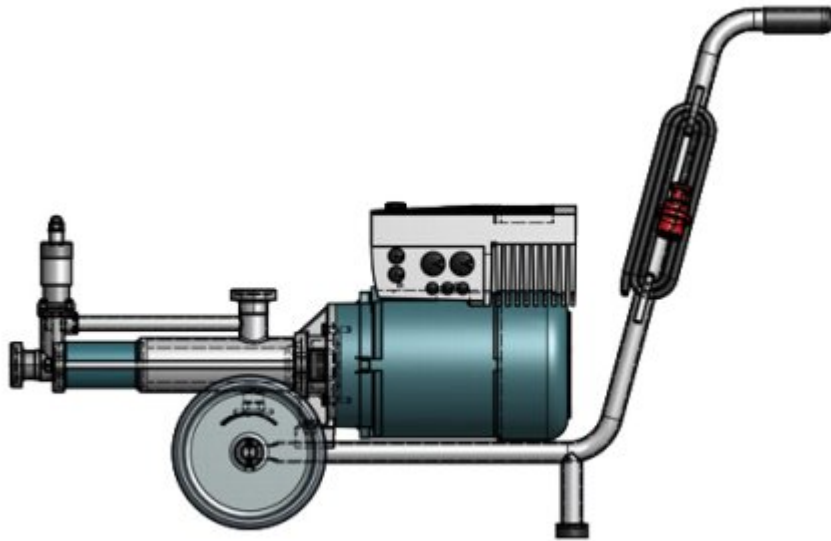




## ECCENTRIC SCREW PUMP SP 4/M5



**Bruttopreis:**  
**23 058 €**

Nettopreis:  
18 746 €

Self-priming eccentric screw pump mounted on a running gear with dry-run protection, level sensor and welding adapter. Pump with frequency converter and bypass. Fittings DIN DN 32.

### Technical data

Connections	DN32 EG/AG
Material	1.4301 / AISI 304
Electrical protection	16 A
Connected load	400V 50Hz (3 phases)
Motor rating	1,1 kW (PS)
Nominal rating l/h	400 - 1 980 l/h





GALERIE

