



## GRAPE ELEVATOR NE



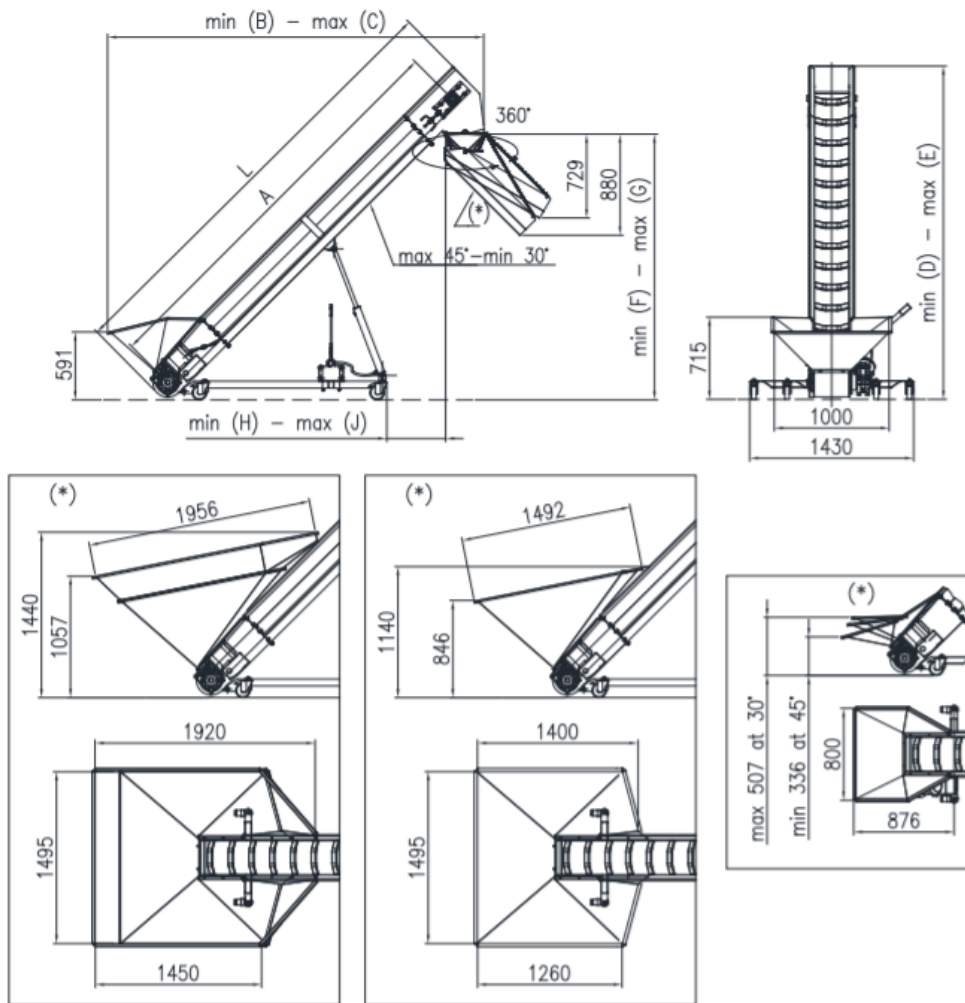
**DIEMME**  
Enologia

Belt conveyor for transporting grapes and other soft fruits. As standard, the feeder works at a constant speed. The feeder is equipped with an inverter to change the feeding speed. The feeder is equipped with a hydraulic cylinder for changing the angle of inclination. Feeder belt width 300 mm.

Technical parameters:

TECHNICAL DATA	NE 2500	NE 3500	NE 4500	NE 5500	NE 6500	NE 7000	NE 8000
A (mm)	2.500	3.500	4.500	5.500	6.500	7.000	8.000
B (mm)	2.572	3.285	3.970	4.650	5.890	5.732	6.437
C (mm)	2.957	3.860	4.780	5.700	6.540	7.163	8.315
D (mm)	1.700	2.100	2.500	2.900	3.050	2.638	3.235
E (mm)	2.200	2.900	3.650	4.370	5.040	5.409	6.120
F (mm)	1.106	1.470	1.885	2.300	2.435	2.029	2.626
G (mm)	1.610	2.320	3.050	3.780	4.460	4.821	5.533
H (mm)	310	515	700	880	1.170	1.066	1.150
J (mm)	650	1.035	1.450	1.870	2.485	2.711	2.910
L (mm)	2.840	3.840	4.840	5.840	6.830	7.331	8.333
Installed power (kW)	0,75	0,75	0,75	0,75	0,75	1,1	1,1
Capacity (ton/h)	8	8	8	8	8	8	8





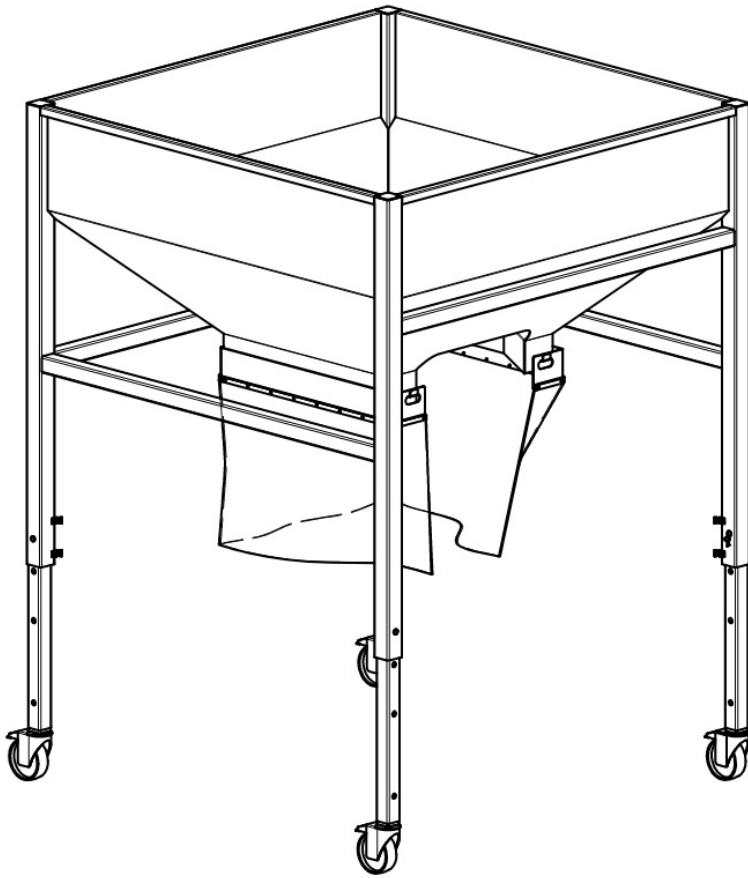
If grapes are harvested in large eurobaskets weighing about 400 kg, it is worth considering the purchase of an additional hopper that will evenly distribute the fruit on the conveyor belt. The even distribution of the fruit is very important when the conveyor transfers the fruit to the destemmer machine, which translates into optimal operation of the destemmer machine.





DESTILLER

Erstellt am: 2024-01-13 10:12



DESTILLER

**Destiller - Anna i Seweryn Fabijaniak**  
ul. Grunwaldzka 37  
37-560 Pruchnik  
Tel.: +48 660 143 042  
E-mail: [biuro@destiller.pl](mailto:biuro@destiller.pl)

Godziny pracy  
Poniedziałek - piątek 8:00 - 18:00  
[www.destiller.pl](http://www.destiller.pl)