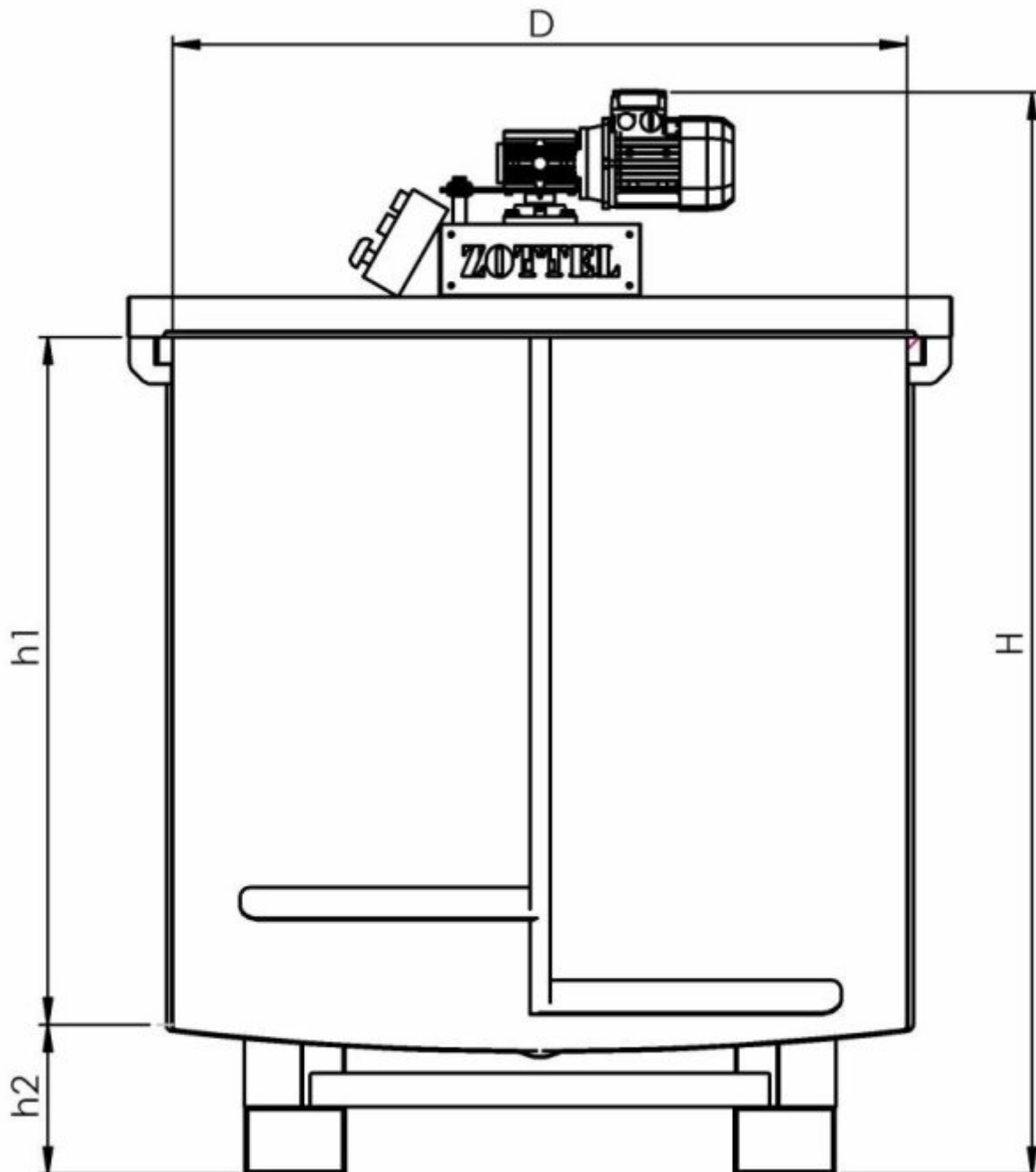




## MIXING TANKS ON WHEELS WITH MIXER



Mixing tanks on wheels with mixer

Stainless Steel AISI 304 (1.4301), Mirror polished inside (BA/IIIId), Circle polished outside. Mixing tanks are intended for use in wine production. They can be equipped with a mixer that allows slow mixing, blending or stirring of the contents.





VOLUME IN LITERS	D V MM	H V MM	H1 V MM	H2 V MM	CODE
500	796	1700	1020	300	12MPM500L
700	955	1700	1020	300	12MPM700L
1000	1115	1700	1020	300	12MPM1000L
1500	1115	2400	1520	400	12MPM1500L

**Standard equipment**

- detachable two-piece cover
- electric motor and paddle mixer
- total outlet - ball valve DN50
- handle

**Additional equipment**

- sack support
- cooling jacket
- level indicator Ø16 mm
- sample tap DN15

