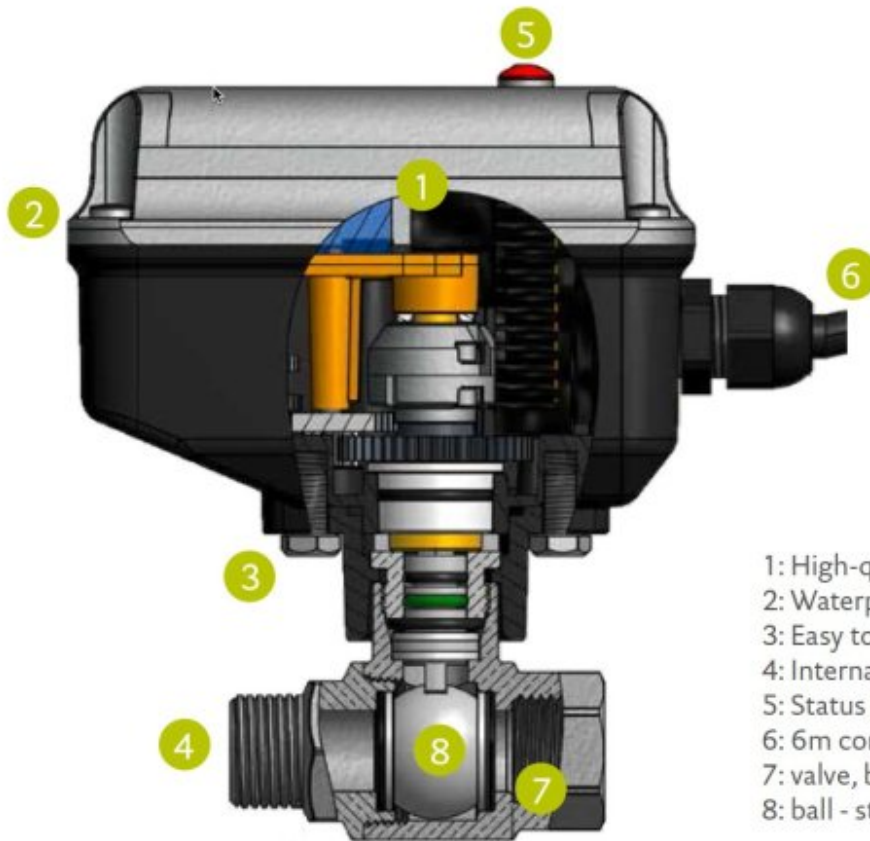




## MOTORIZED BALL VALVE



- 1: High-quality drive unit
- 2: Waterproof case - IP67
- 3: Easy to install
- 4: Internal / external threads as standard
- 5: Status LED
- 6: 6m connection cable
- 7: valve, brass nickel-plated
- 8: ball - stainless steel





GALLERY

