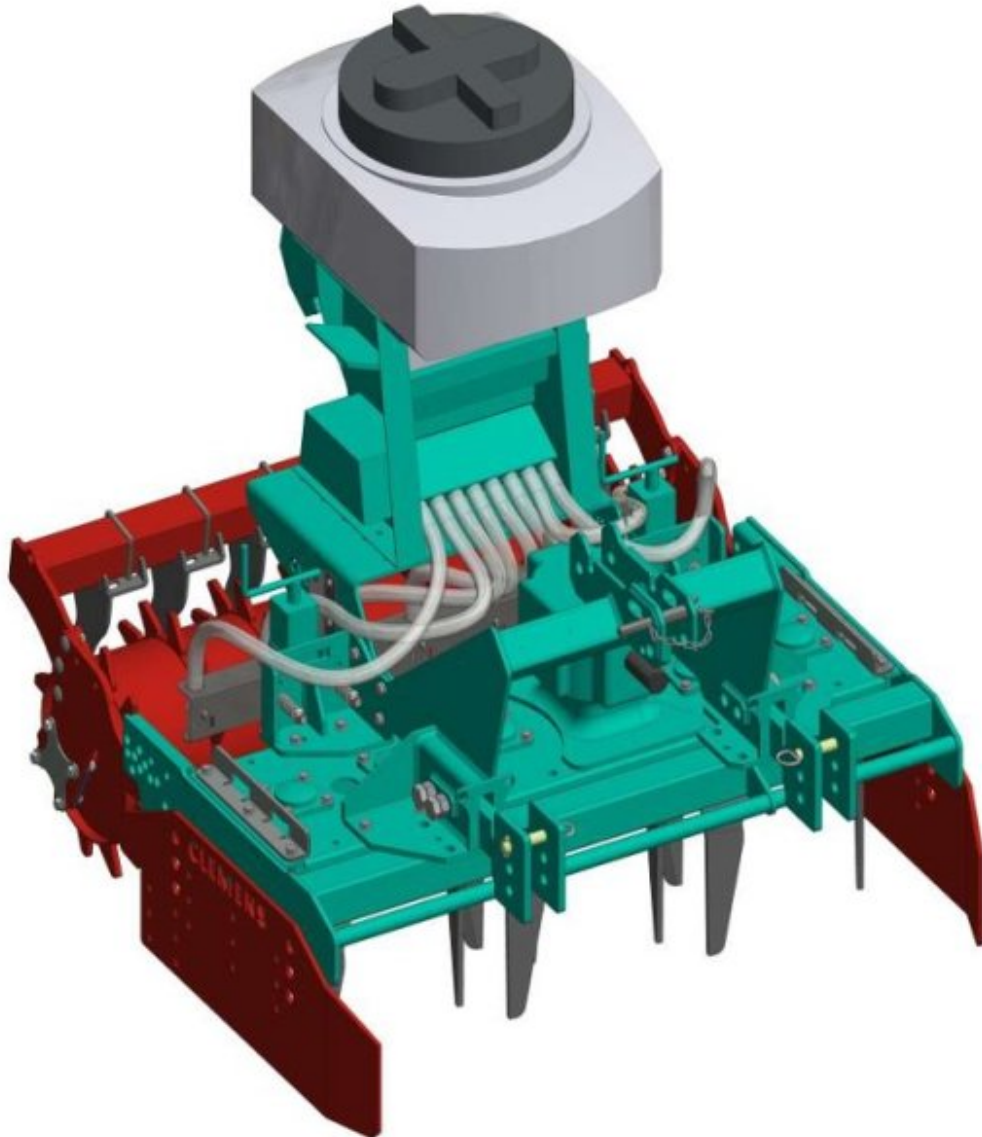




PNEUMATIC SEEDER ON FRAME + ROTARY HARROW, CLEMENS



The device is designed for soil cultivation, opening the soil in the inter-row and simultaneous sowing.

