

SLOTTED TANK PNEUMATIC PRESSES, TECNOVA

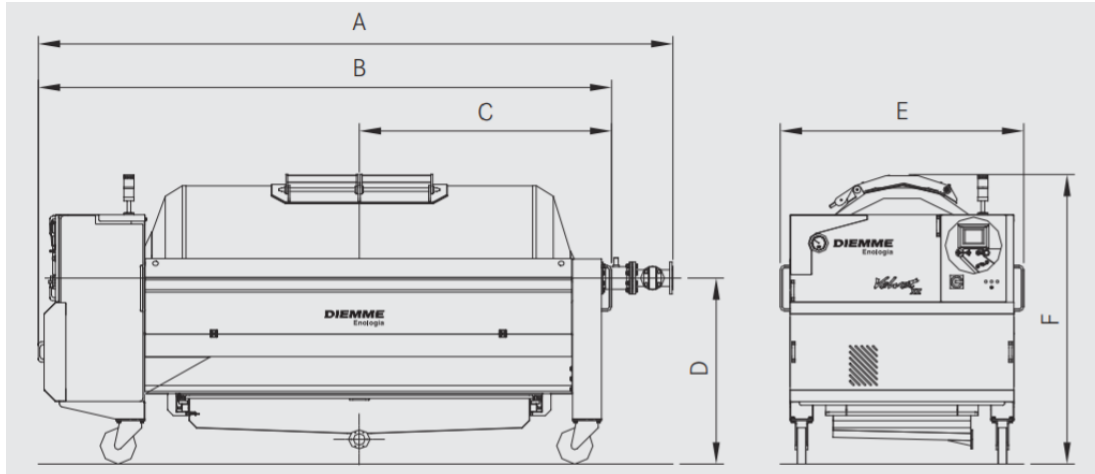


Horizontal pneumatic press with side membrane certified in accordance with current European Directive in force, with slotted AISI 304 stainless steel. High draining surface thanks to a high slots number placed along the surface. Large double door manually opened and closed with mechanical safety lock. Pressing membrane consisting of heavy fabric coated with a food grade polymer, it inflates totally even in the absence of product, no minimum load required. Quick fastening system without perforation of the membrane. Frame entirely made of AISI 304 stainless steel with large juice collecting pan and side covers can be opened for cleaning. Electric control panel and covers entirely made of AISI 304 stainless steel, in compliance with current European Directives in force.

Machine equipped with compressor for membrane inflation and blower for vacuum. Safety side protection and emergency button for user's safety. This machine meets current European Directive in force.

Automation

Simple and user-friendly operator interface E-panel with "Touch-Screen" to easily access to programming pages. It allows the management and programming of all working cycles and monitoring of the working cycle and press status. 30 pressing programs are stored in the PLC plus a "Rocking" system for tank oscillation and M.I.P. Intelligent Programm for optimizing the pressing cycle time.



IT / EN	FR / DE / ES		VELVET XZ 15 TECNOVA XZ 15	VELVET XZ 23 TECNOVA XZ 23	VELVET XZ 34 TECNOVA XZ 34
A	A	mm	3.727	3.929	4.378
B	B	mm	3.193	3.474	3.923
C	C	mm	1.373	1.495	1.720
D	D	mm	1.058	1.282	1.284
E	E	mm	1.896	2.609	2.286
F	F	mm	1.598	1.934	1.996
Volume serbatoio Tank volume	Volume cuve / Tankvolumen Volumen tanque	lt	1.500	2.300	3.400
Dimensioni portella Door dimension	Dimensions porte / Deckelmaße Medidas puerta	mm	800x440	900x480	900x480
Volume vasca Juice pan volume	Volume bac à jus / Volumen der Saftwanne / Volumen bandeja	lt	400	400	500
Peso a vuoto Empty weight	Poids à vide / Leergewicht Peso en vacío	kg	1.150	1.300	1.500
Peso in servizio Full weight	Poids en service / Gewicht in Betrieb Peso en servicio	kg	2.650	3.600	4.900
Potenza installata Installed power	Puissance installée / Anschlußleistung Potencia instalada	kW/50Hz	3,35	4,8	5,2
Caricamento uva intera Whole bunch capacity	Remplissage raisins entiers Aufschüttmenge Ganztrauben Llenado con racimos enteros	kg	1.000	1.400	2.100
Caricamento uva diraspatapijata Destemmed/crushed grapes capacity	Remplissage raisins égrappés foulés Aufschüttmenge entrappte und gequetschte Maische Llenado con uva despalillada y estrujada	kg	3.000	4.600	6.800
Caricamento uva fermentata Fermented and drained capacity	Remplissage raisins fermentés Aufschüttmenge vergorene Maische Llenado con uva fermentada	kg	4.500	6.900	10.200





GALERIE

