



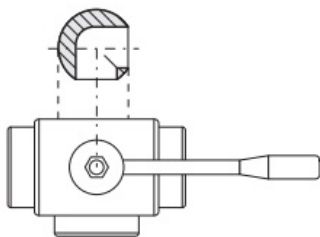
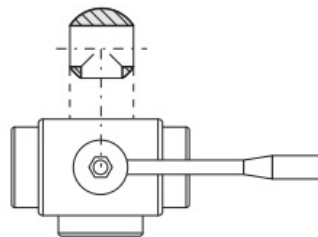

























THREE WAYS "L" BALL VALVE MALE ENDS



	DIN mm	H mm	A mm	PN bar	C mm	D mm	E mm	kg
2.302.DD.02-C	10	28	10	40	108	110	60	1,10
2.302.DD.06-C	15	34	15	40	118	110	65	1,45
2.302.DD.09-C	20	44	20	40	130	160	70	2,30
2.302.DD.12-C	25	52	25	40	140	160	80	3,00
2.302.DD.23-C	32	58	32	40	156	190	95	5,15
2.302.DD.32-C	40	65	40	40	172	190	110	7,55
2.302.DD.45-C	50	78	50	16	182	235	120	9,20
2.302.DD.66-C	65	95	65	15	196	285	130	11,30
2.302.DD.72-C	80	110	80	10	256	310	145	23,00
2.302.DD.77-C	100	130	100	10	286	310	160	36,00
2.302.DD.81-C	125	160	120	6	326	350	180	47,00





SFERA "L" 	SFERA "T" 												
	<table border="1"><tr><td>1</td><td></td><td></td></tr><tr><td>2</td><td></td><td></td></tr><tr><td>3</td><td></td><td></td></tr><tr><td>4</td><td></td><td></td></tr></table>	1			2			3			4		
1													
2													
3													
4													

GALLERY

